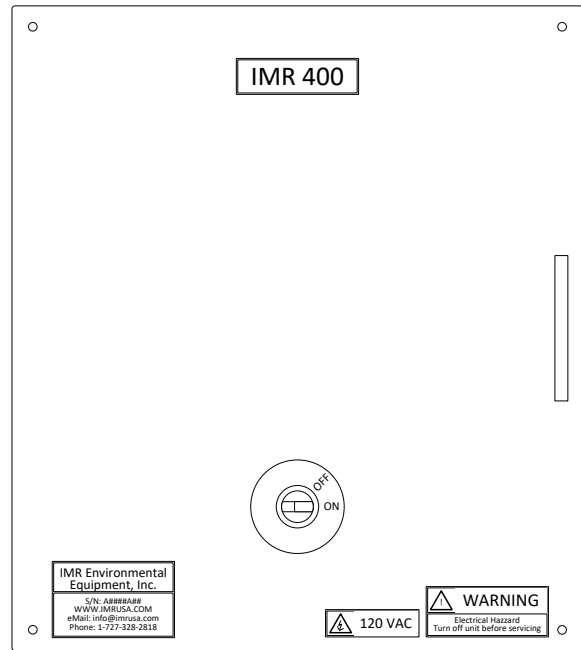
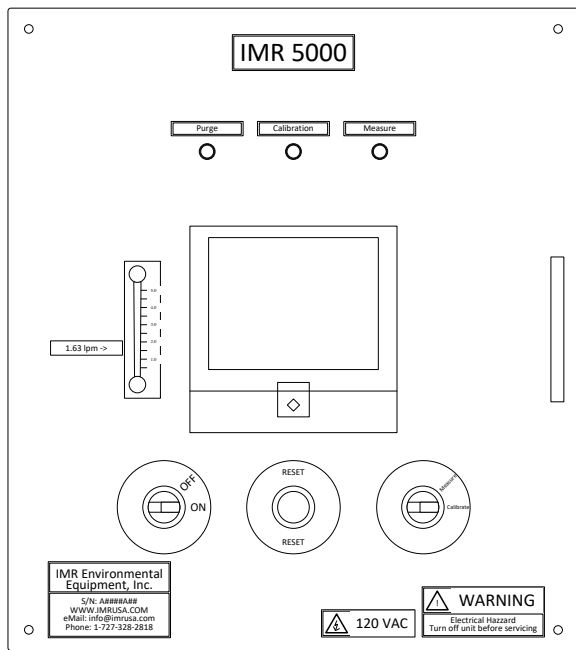


CEMS TECHNICAL MANUAL

[COMPANY NAME]

S/N: F1234X56



INTRODUCTION	3
SAFTEY INFORMATION	3
INSTRUMENT SCHEMATICS.....	4
IMR 5000.....	4
Exterior Layout: Sides	4
Exterior Layout: Top/Bottom.....	5
Interior Layout: Swing Panel	6
Interior Layout: Rear of Swing Panel	7
Interior Layout: Back Panel	8
Wiring I/O: Analog Input.....	9
Slot 1	9
Wiring I/O: Analog Out 4 – 20mA	10
Slot 2	10
Wiring: Barrier Strip Layout.....	11
Wiring I/O: Communication	12
Wiring I/O: Sensor Pinout.....	13
Tubing Layout.....	14
IMR 400.....	16
Exterior Layout: Front	16
Exterior Layout: Sides	17
Exterior Layout: Top/Bottom.....	18
Interior Layout: Rear of Front Panel.....	19
Interior Layout: Left/Right Side	20
Interior Layout: Back Panel	21
Wiring Layout: I/O	22
Tubing Layout.....	23
External Assemblies.....	24
Probe	24
Heated Sample Line	24
Temperature Probe.....	25
Data Cable.....	26
MAINTENANCE	27
CONSUMABLES Part No.	27
WARRANTY	29
Company Information.....	30



INTRODUCTION

- This document contains all of the technical drawings for this IMR CEMS system
- If additional information is required contact IMR

IMPORTANT INFORMATION:

- Use the instrument within the recommended temperature range
- Never operate the system without filters
- All filters must be replaced regularly or when dirty
- IMR or an authorized service facility/technician should check and adjust the instrument on a regular schedule or as needed

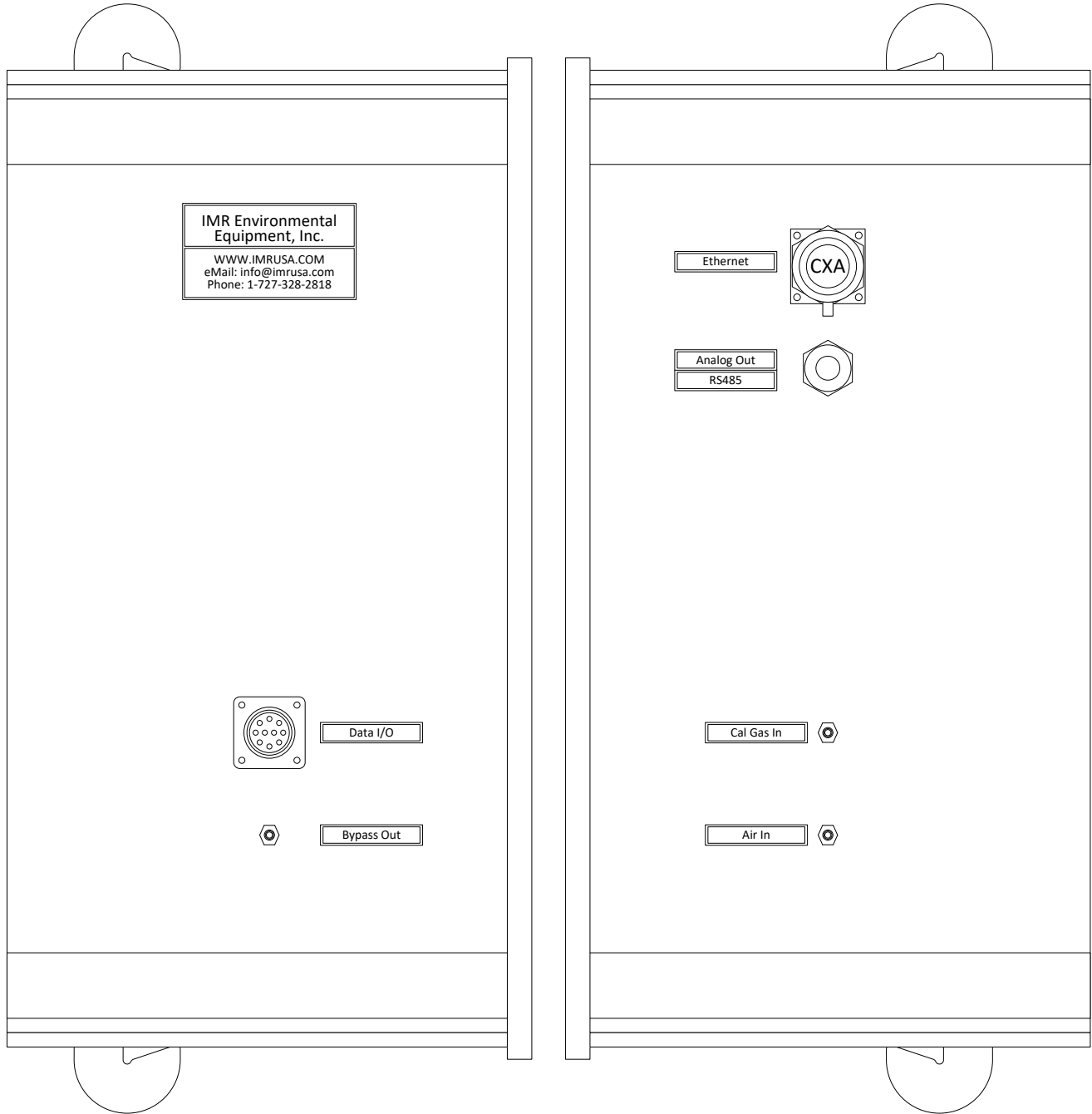
SAFETY INFORMATION

- Read this section carefully to help prevent harm to the system or personnel.
- Follow all warnings and instructions noted on the instrument or indicated on the display
- All hardware that requires AC power needs a proper earth ground
- Avoid any adjustment or maintenance of the hardware while it is powered on
- Ensure that only qualified personnel maintenance the instrument
- Do not submerge the instrument in water
- Do not spill any liquid in the instrument

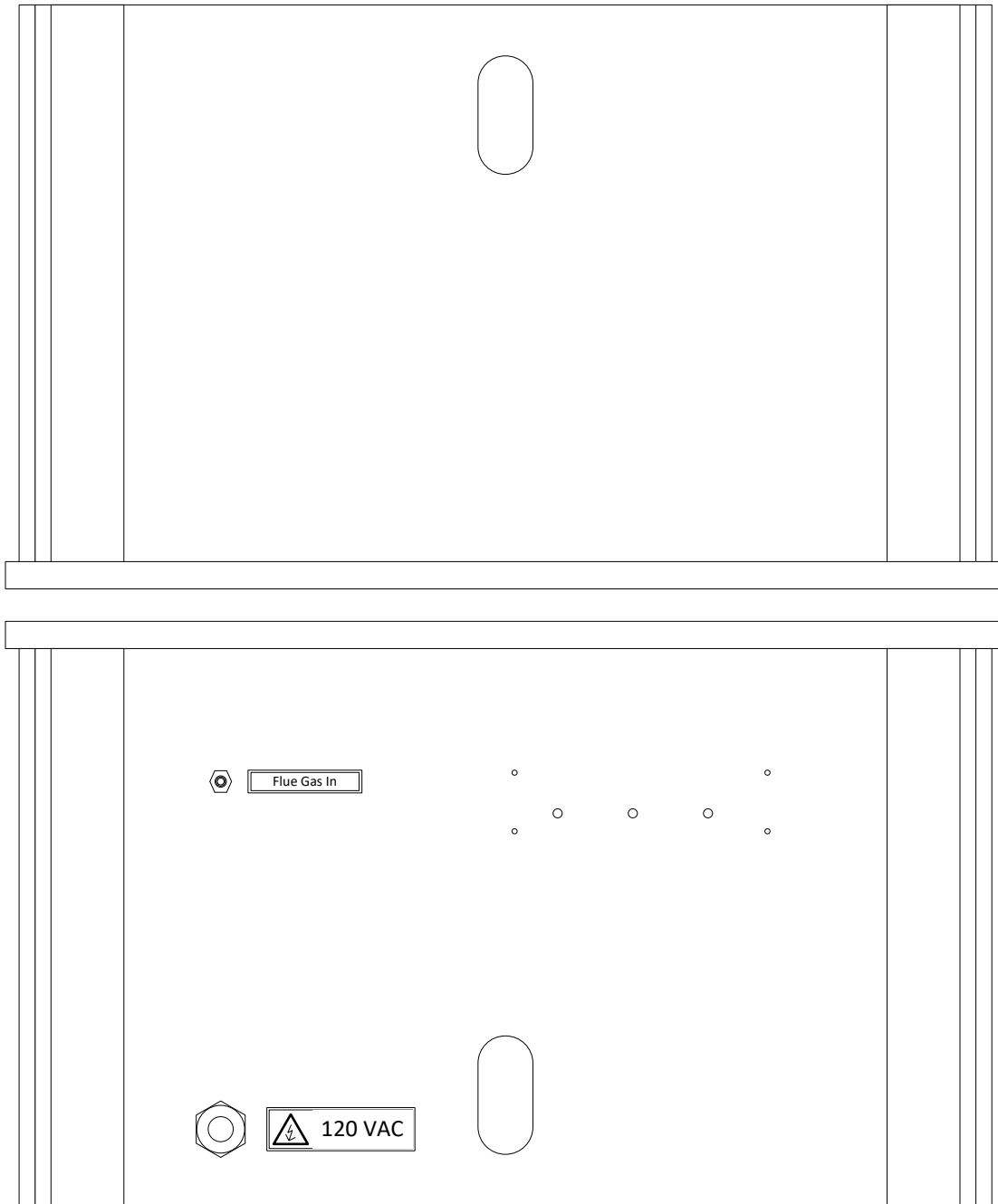
INSTRUMENT SCHEMATICS

IMR 5000

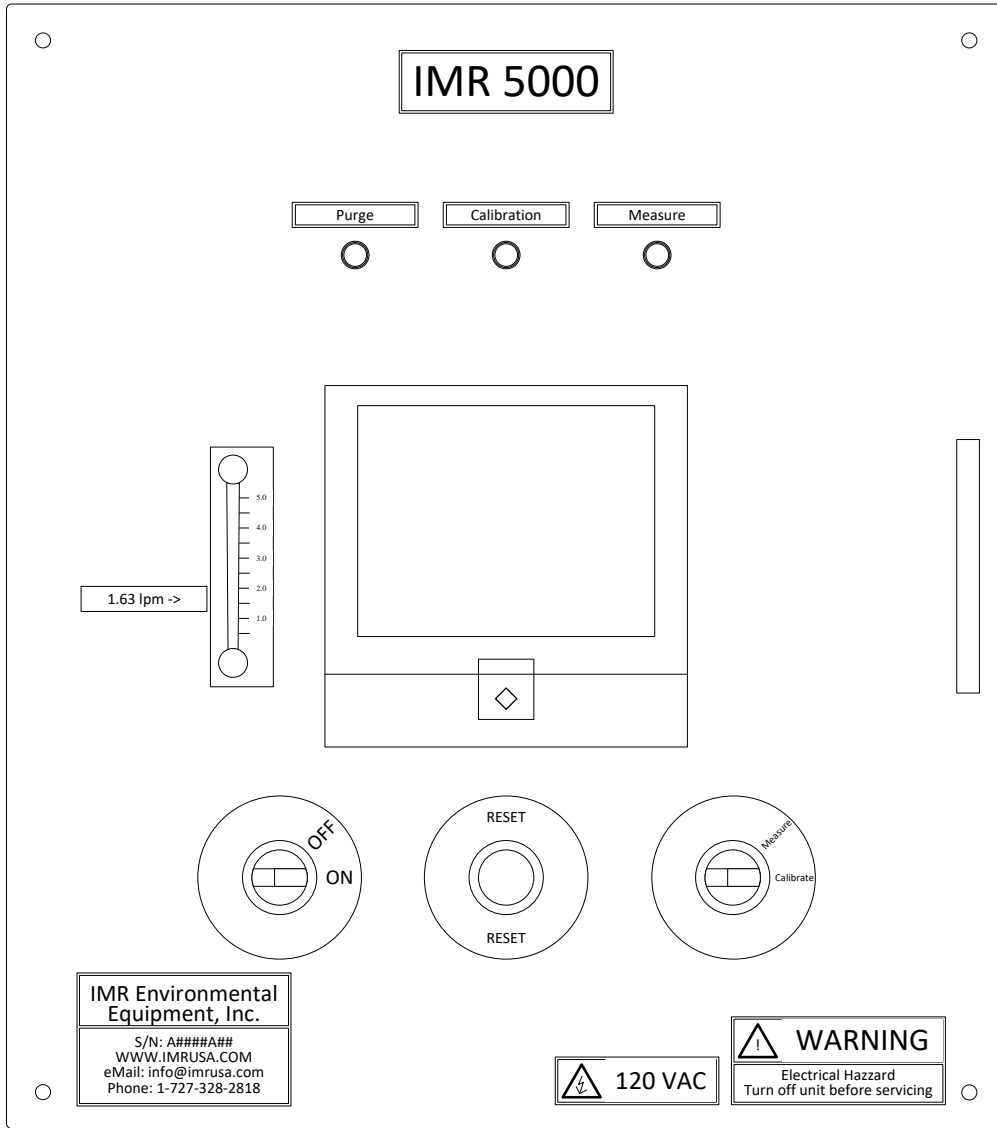
Exterior Layout: Sides



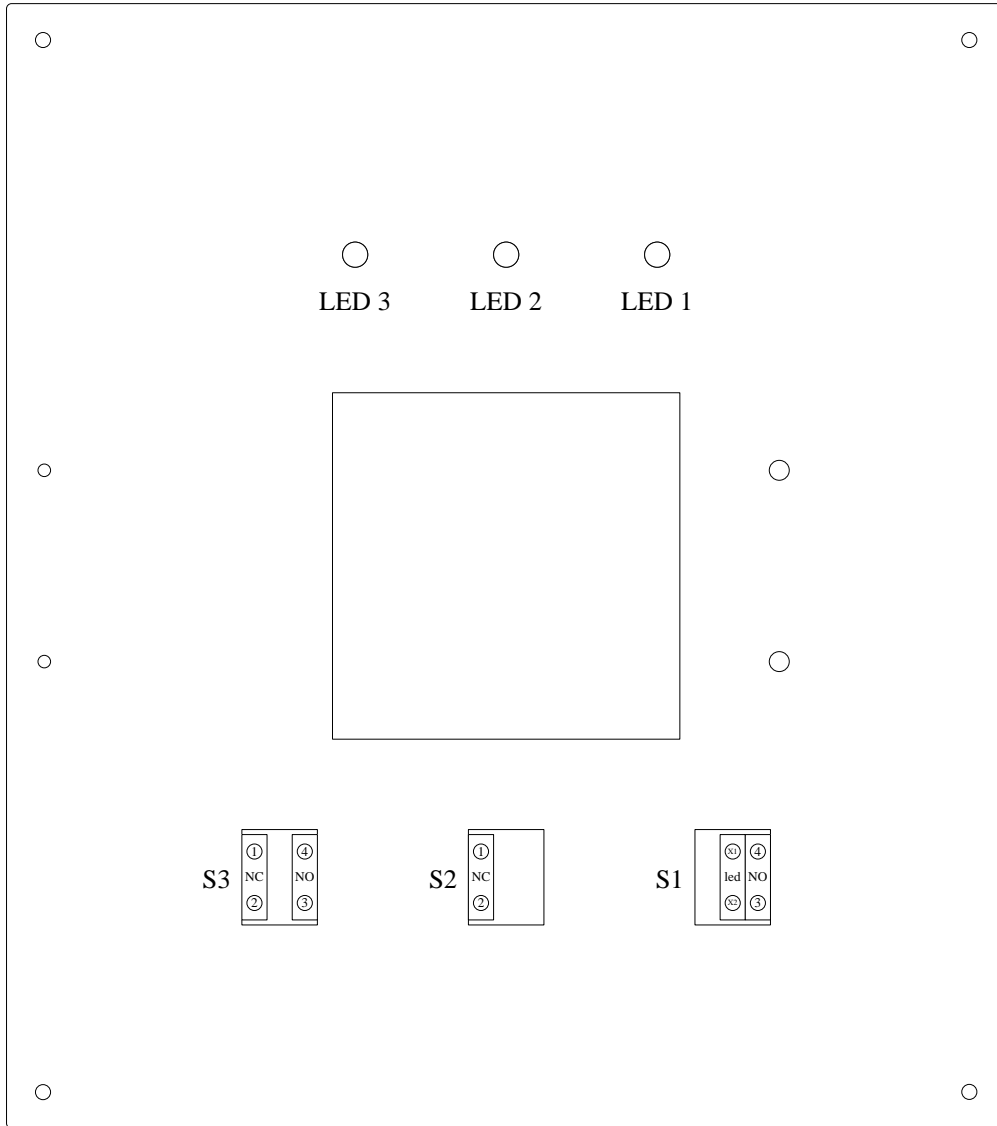
Exterior Layout: Top/Bottom



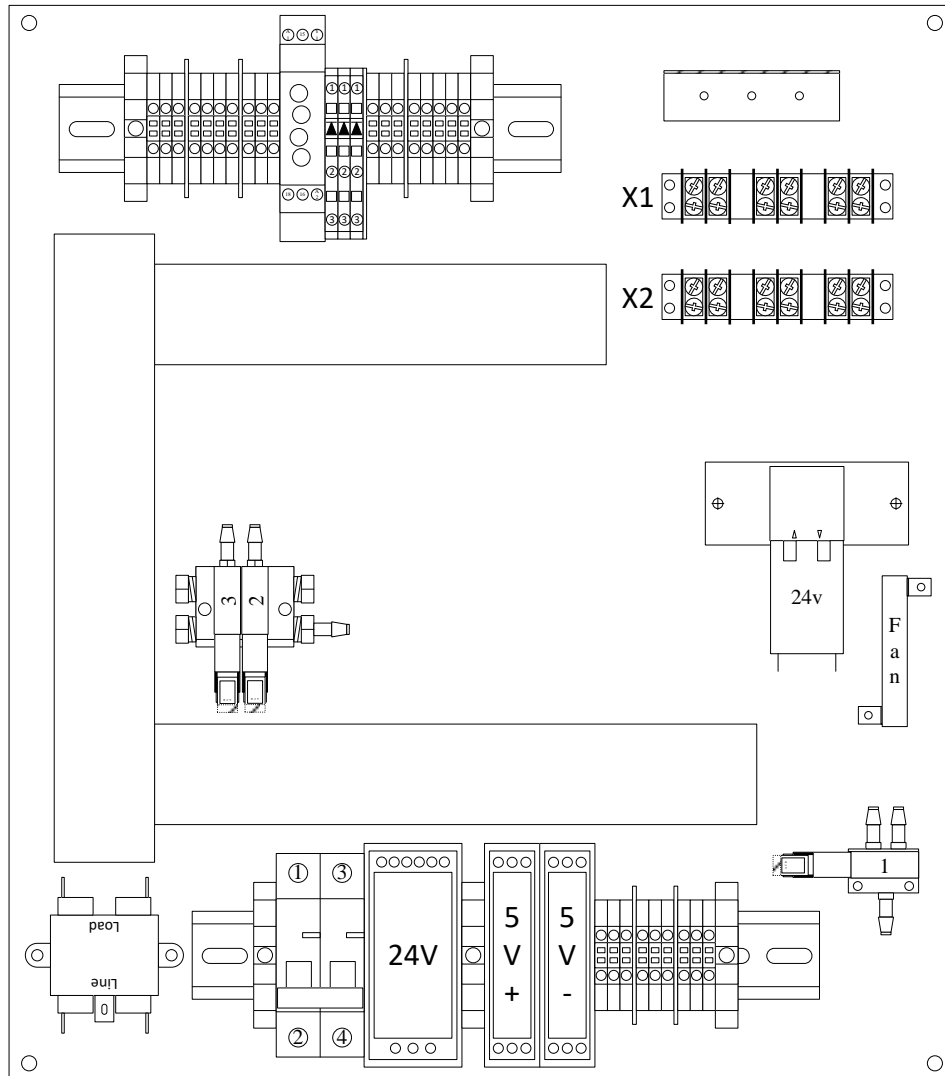
Interior Layout: Swing Panel



Interior Layout: Rear of Swing Panel

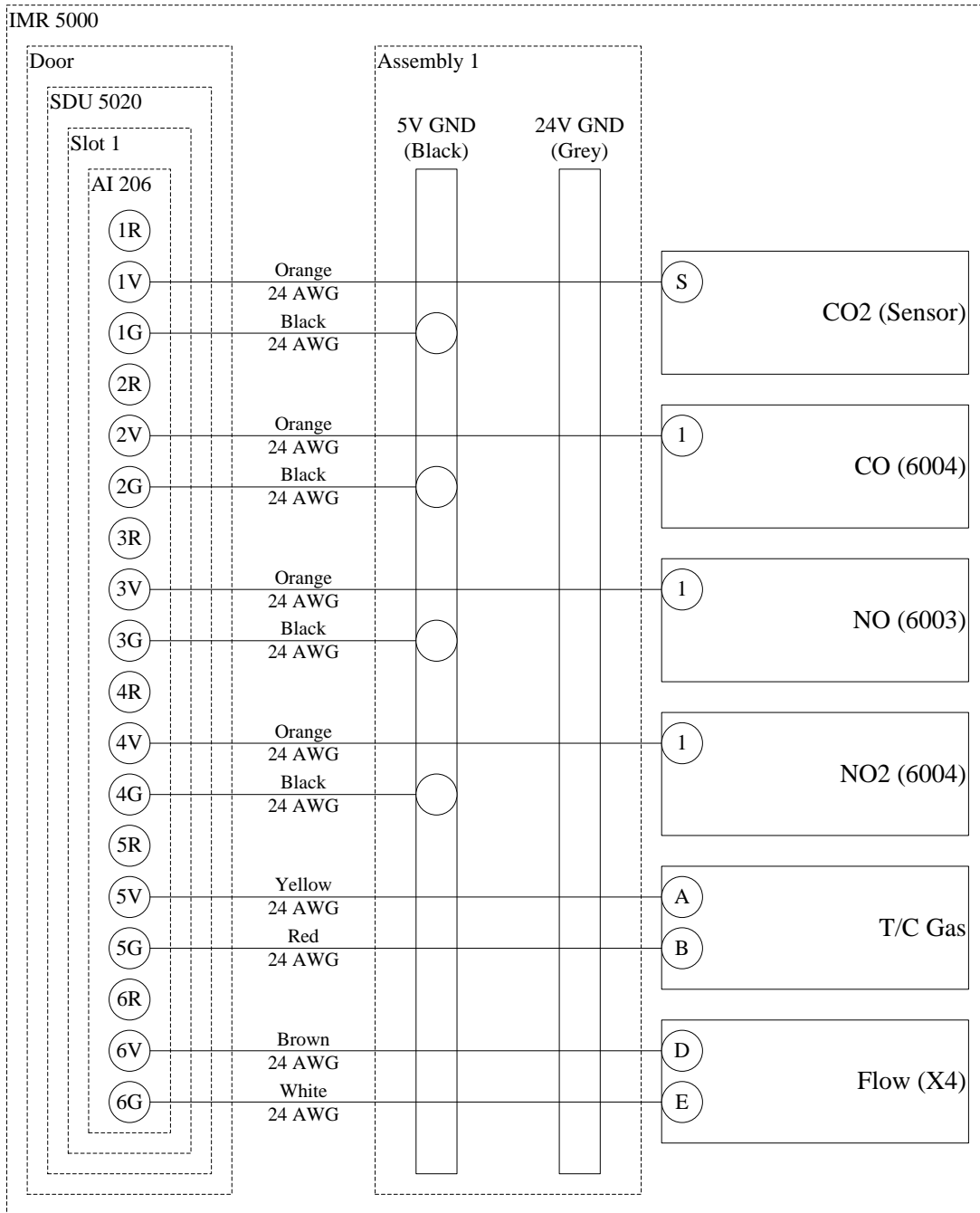


Interior Layout: Back Panel



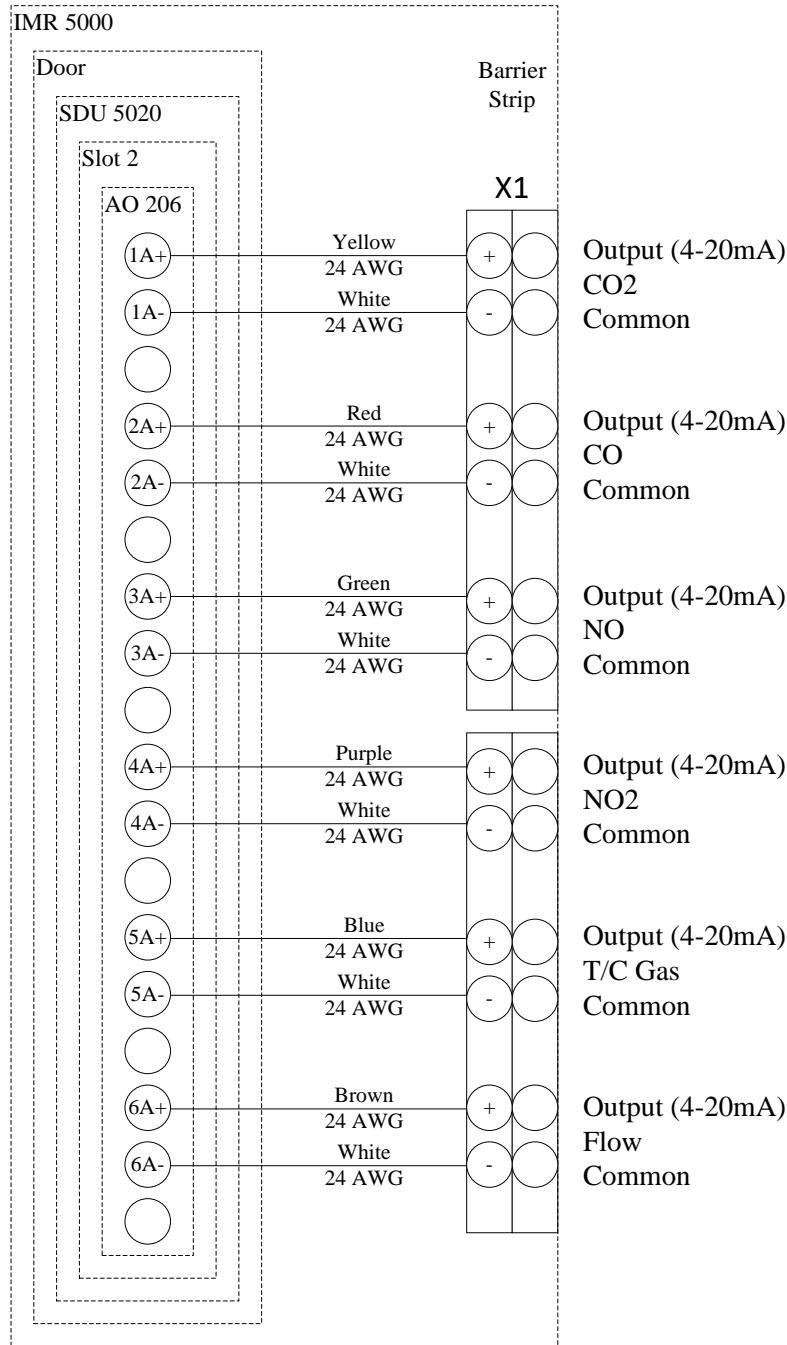
Wiring I/O: Analog Input

Slot 1

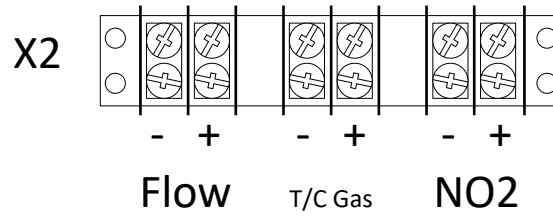
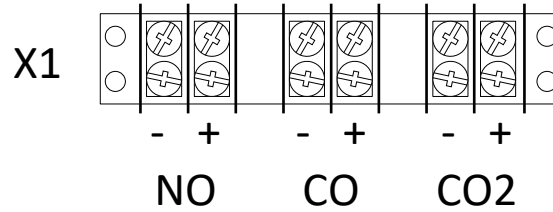


Wiring I/O: Analog Out 4 – 20mA

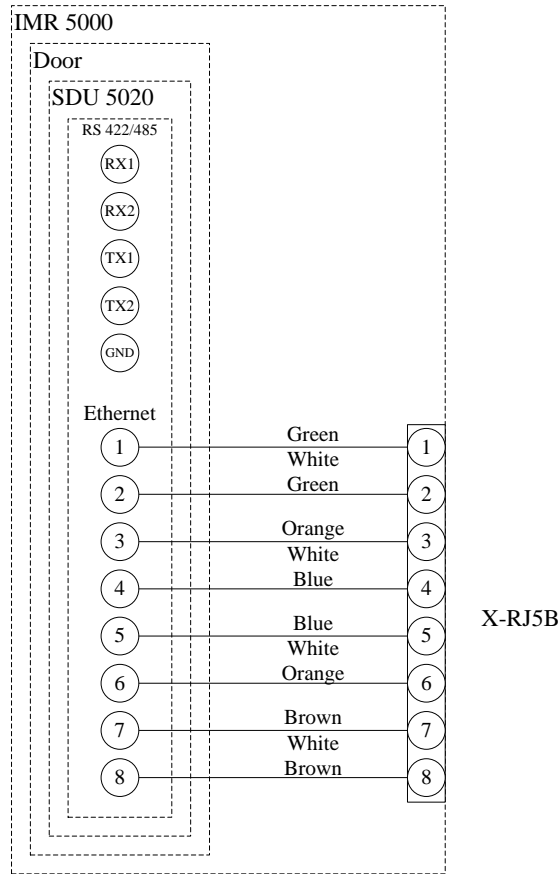
Slot 2



Wiring: Barrier Strip Layout



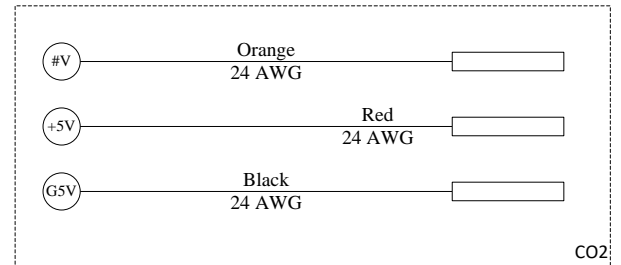
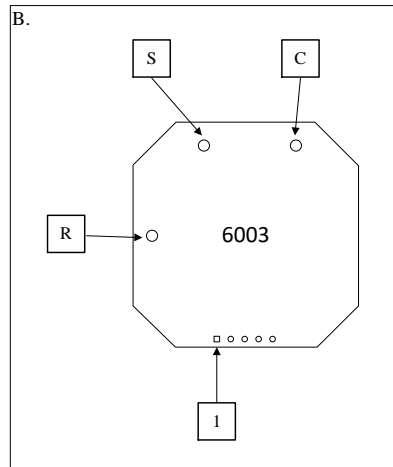
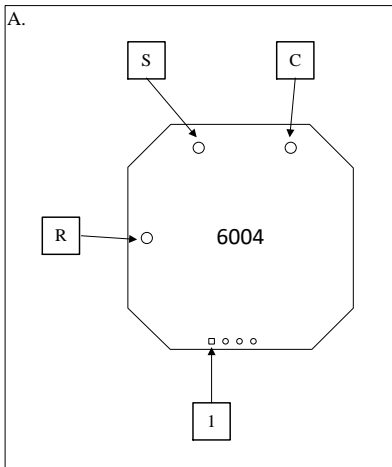
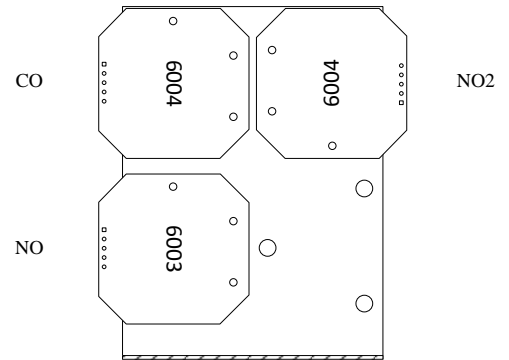
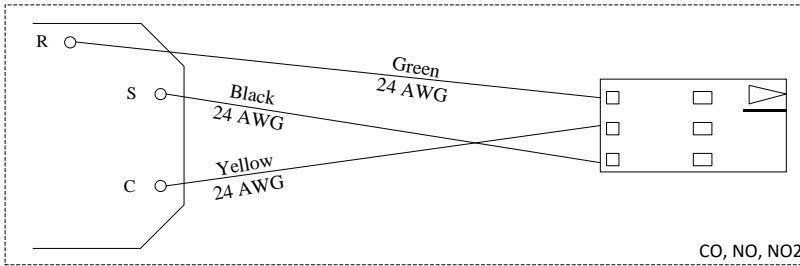
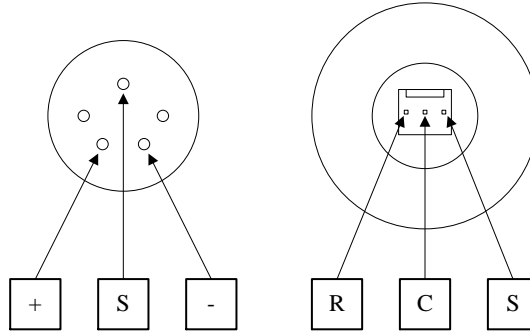
Wiring I/O: Communication



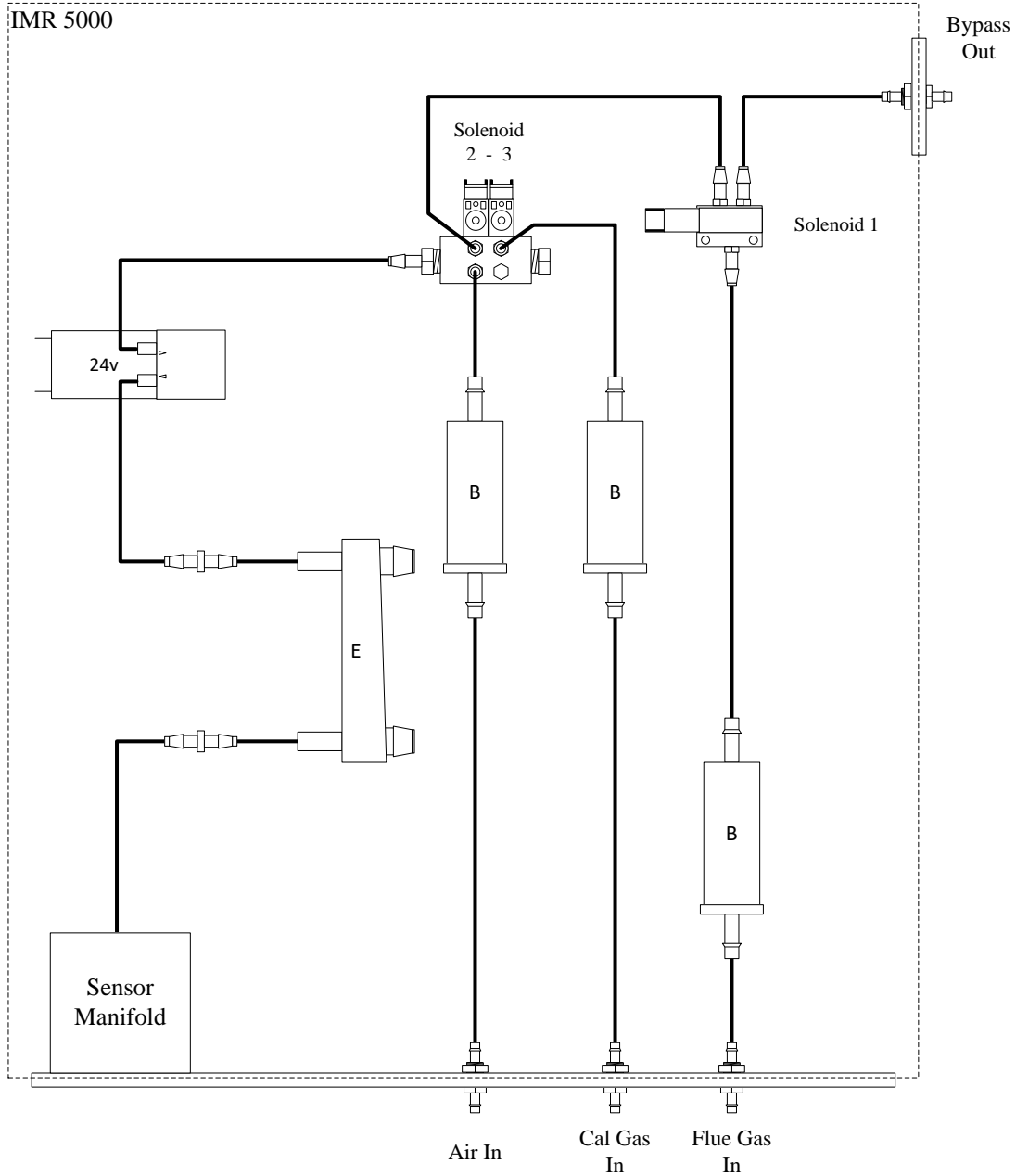
Wiring I/O: Sensor Pinout

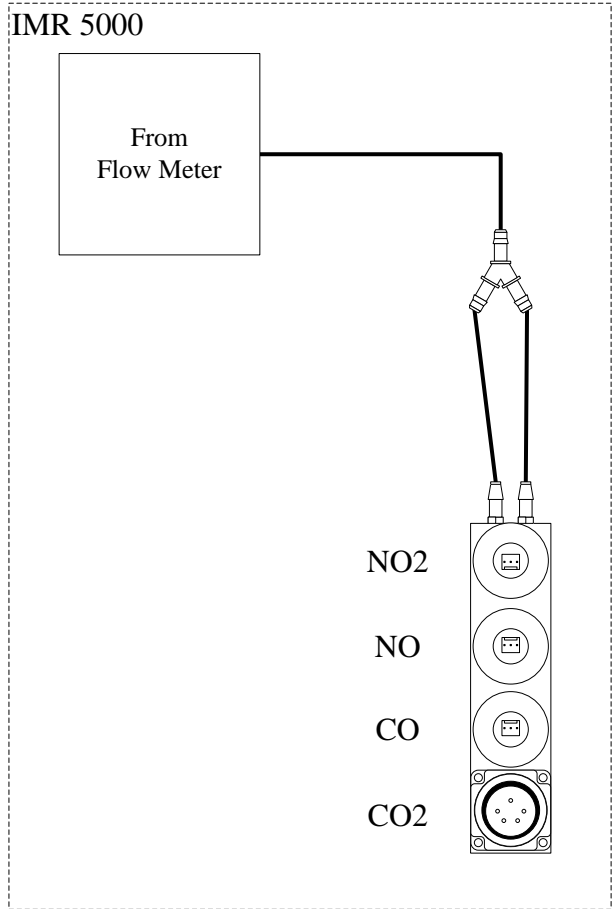
CO2

CO, NO, NO2



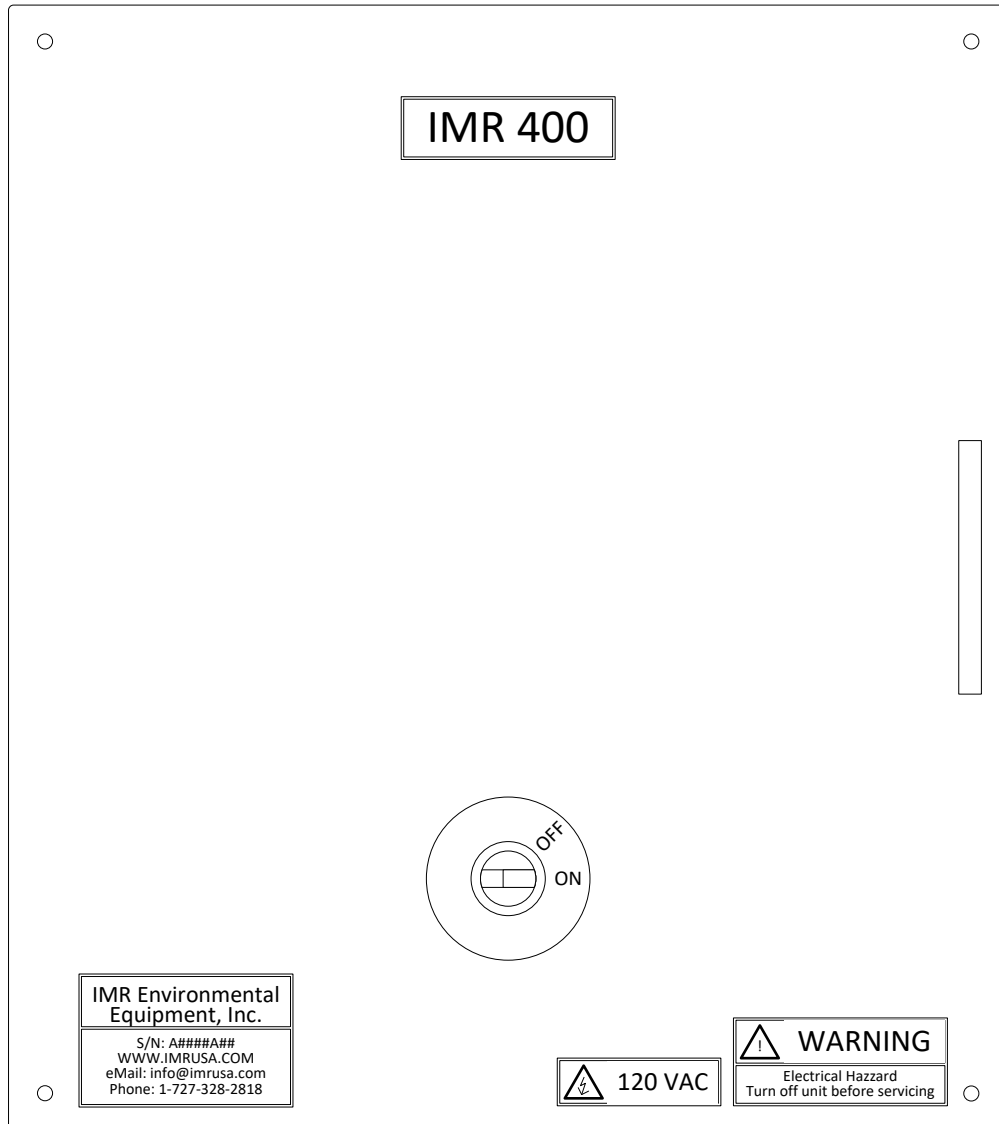
Tubeing Layout



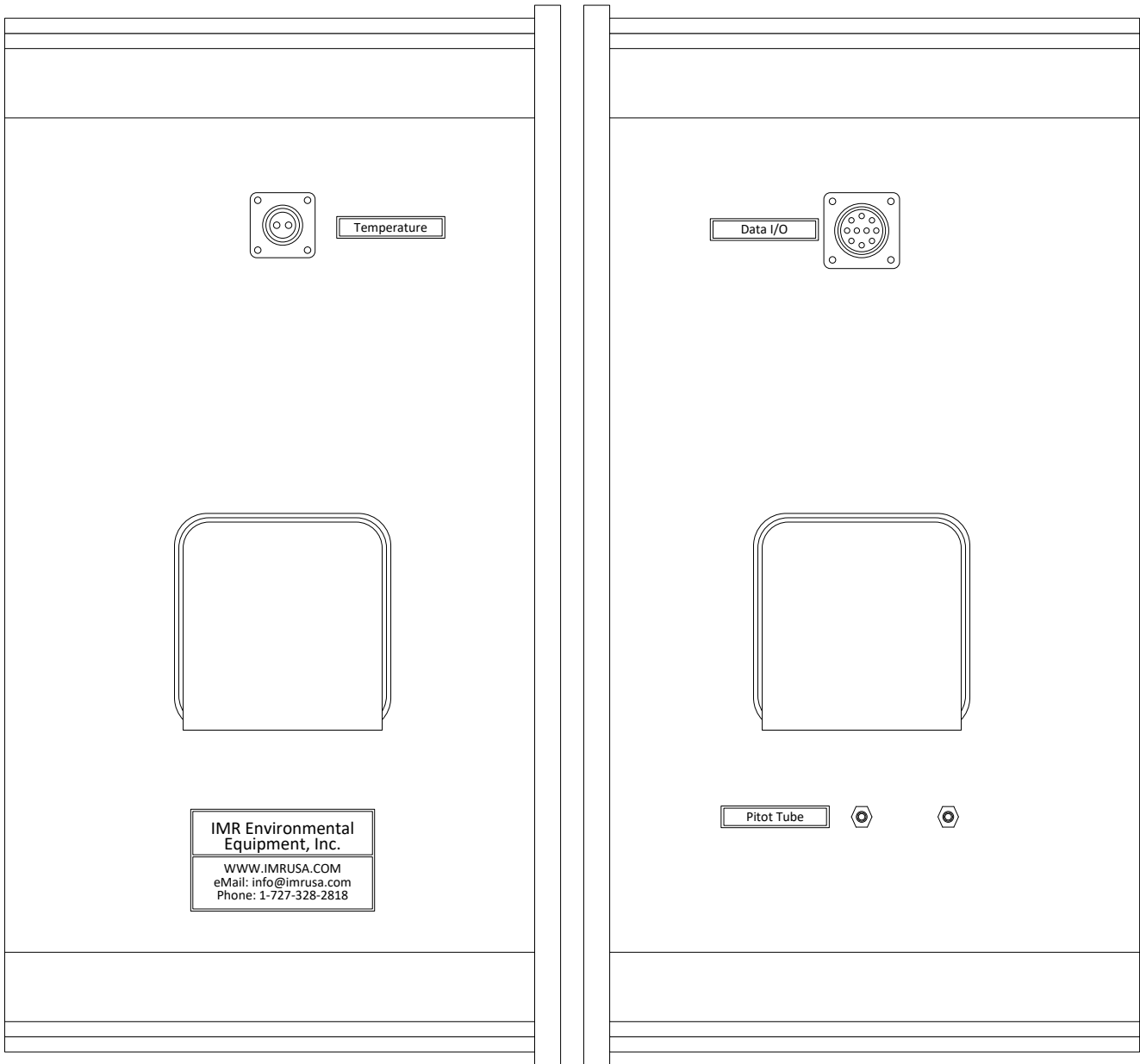


IMR 400

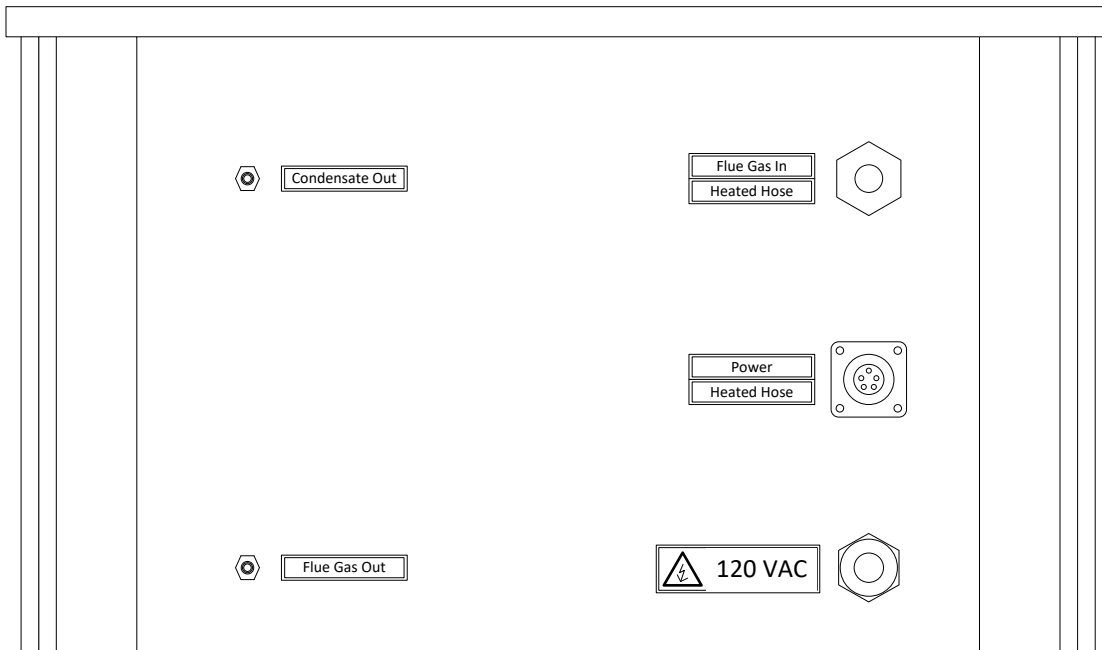
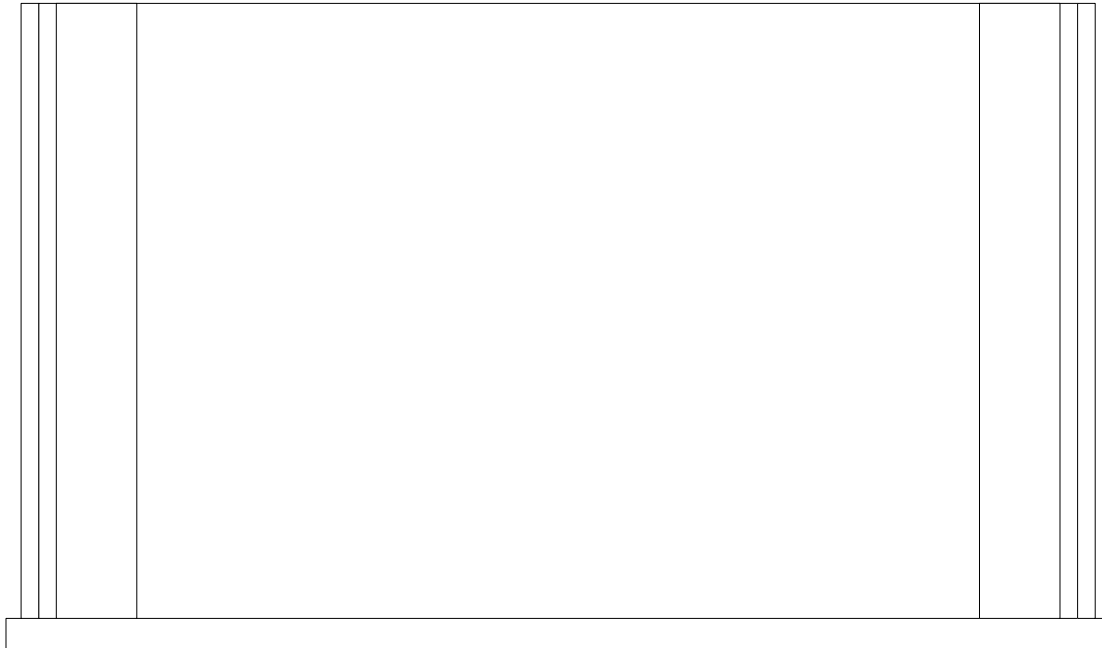
Exterior Layout: Front



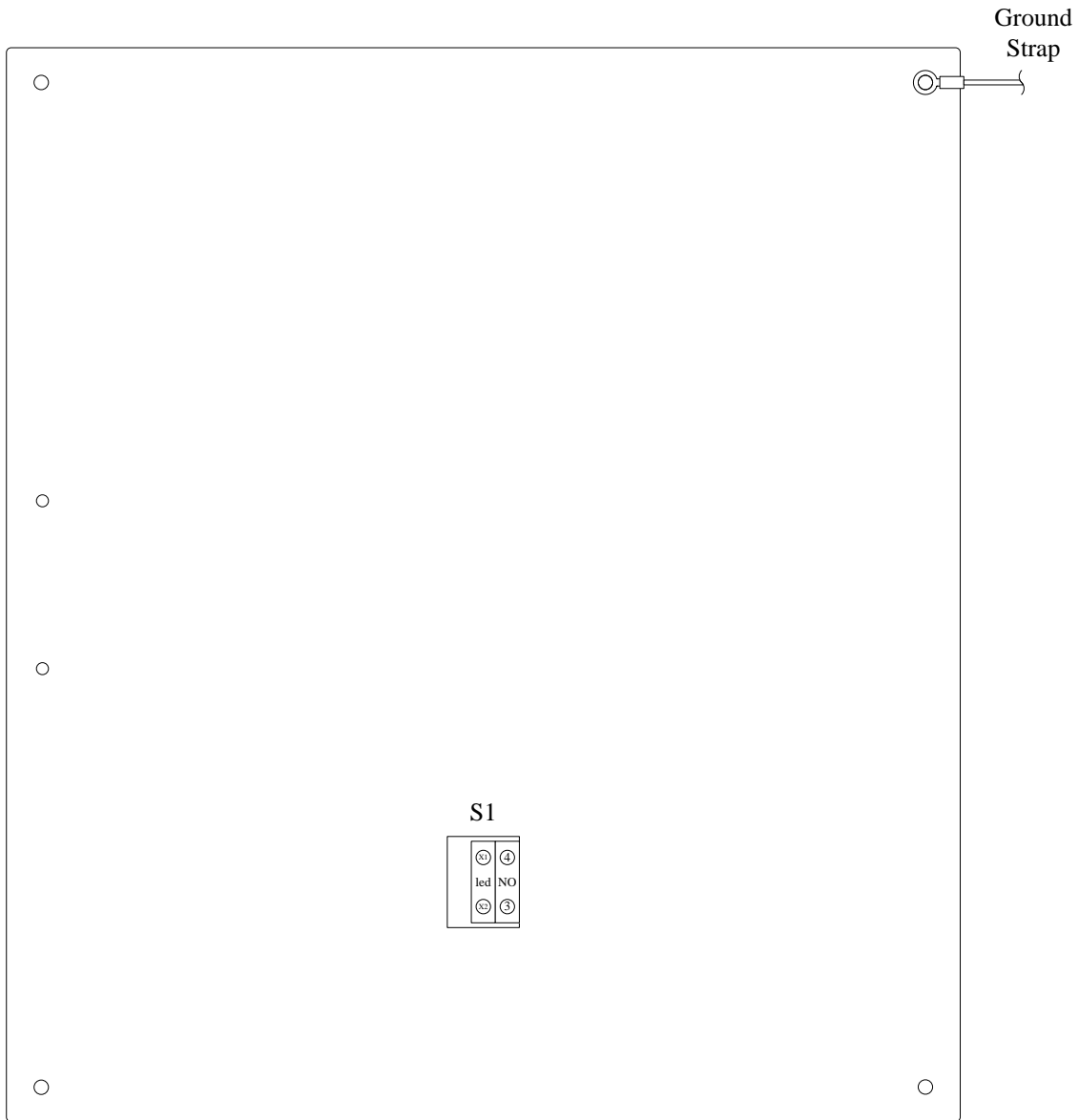
Exterior Layout: Sides



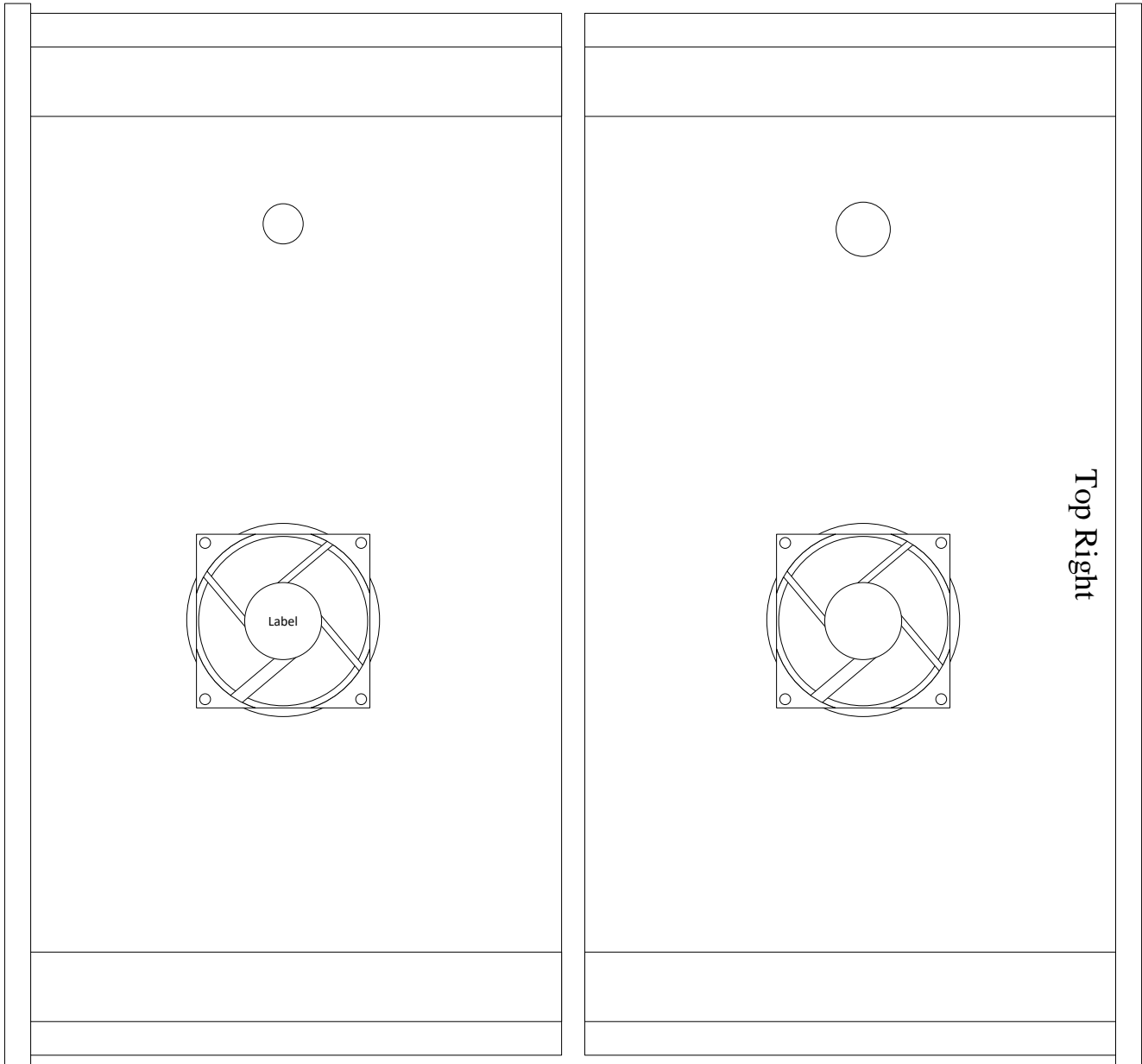
Exterior Layout: Top/Bottom



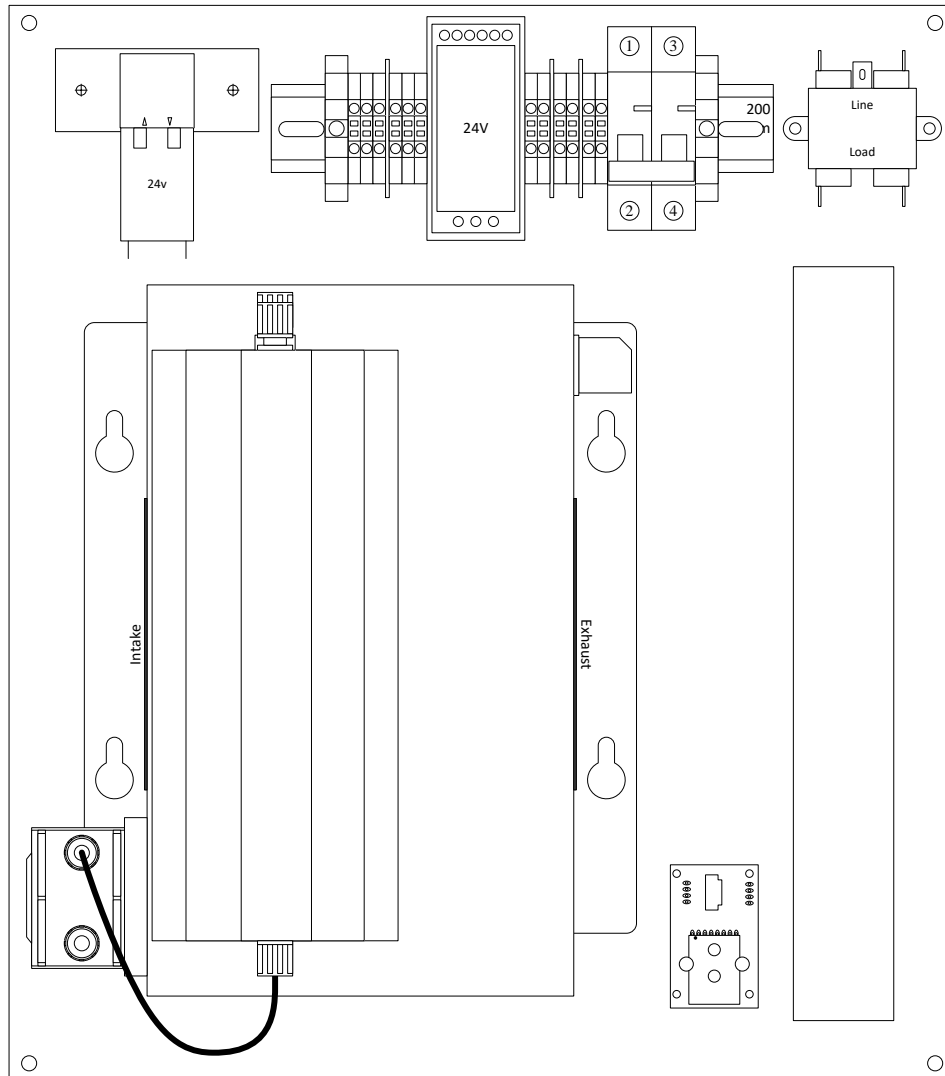
Interior Layout: Rear of Front Panel



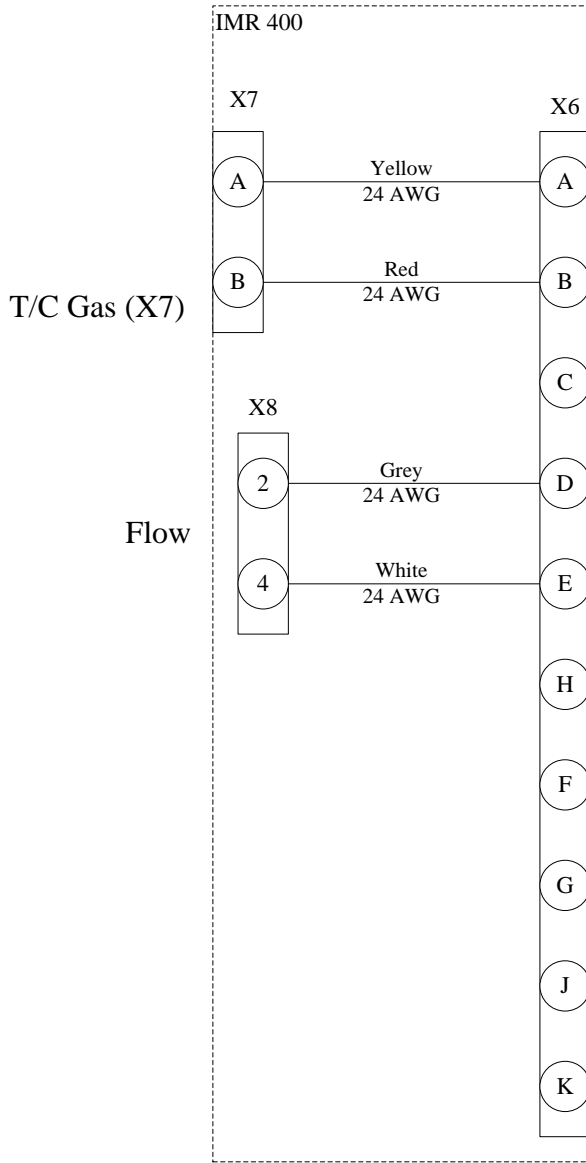
Interior Layout: Left/Right Side



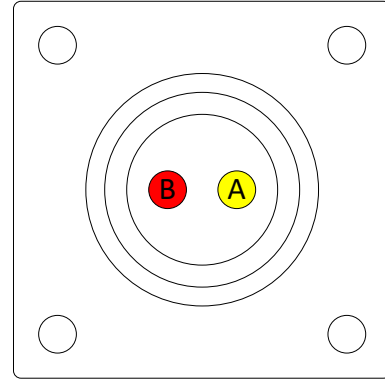
Interior Layout: Back Panel



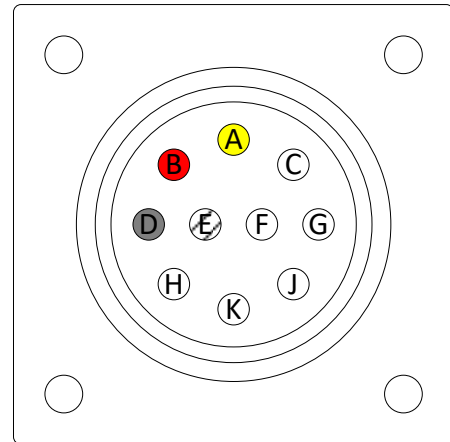
Wiring Layout: I/O



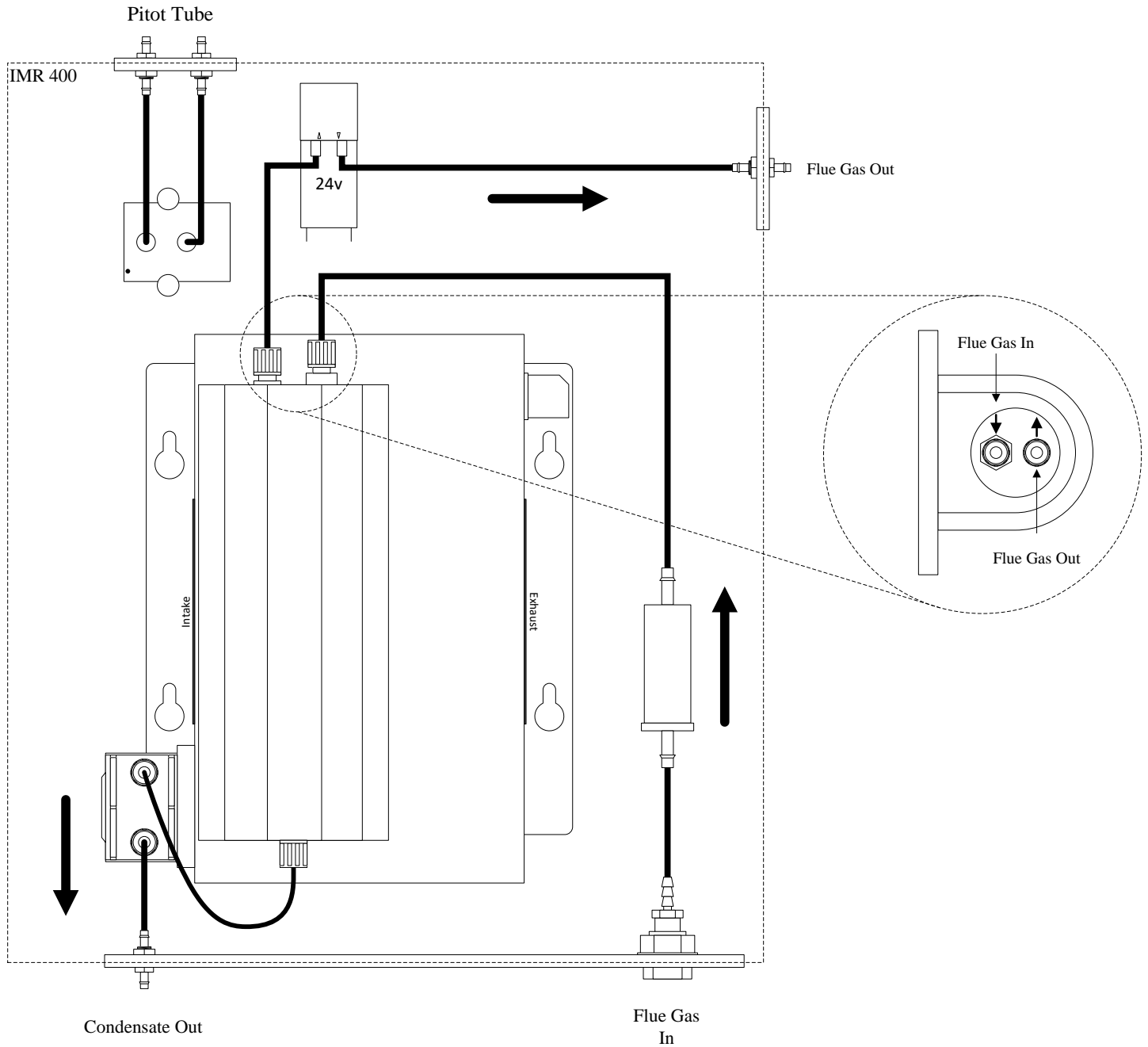
2 Pin Panel (X7) – Solder Side



10 Pin Panel (X6) – Solder Side

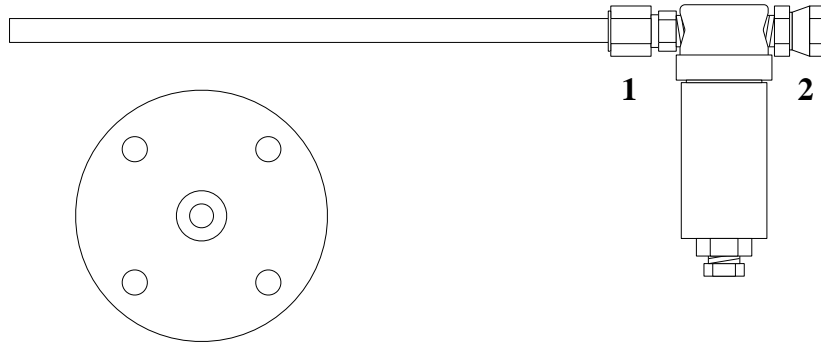


Tubeing Layout

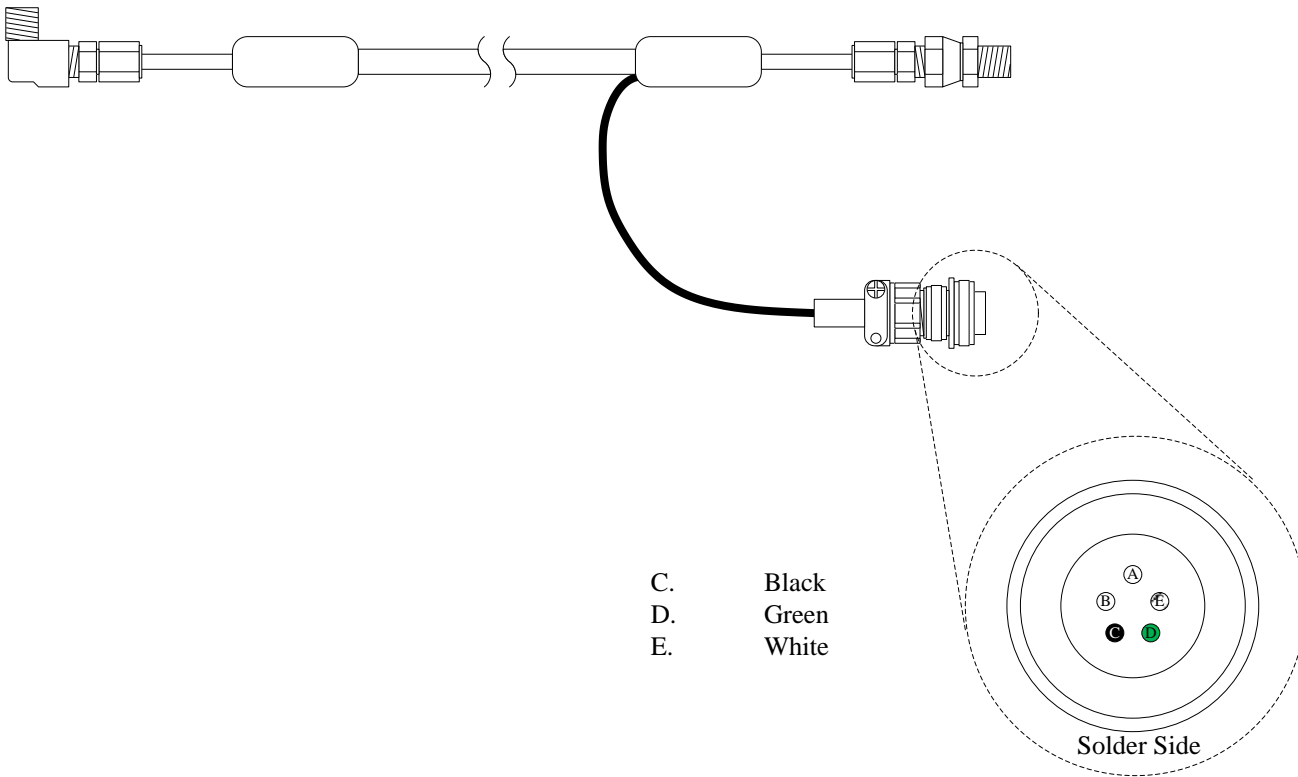


External Assemblies

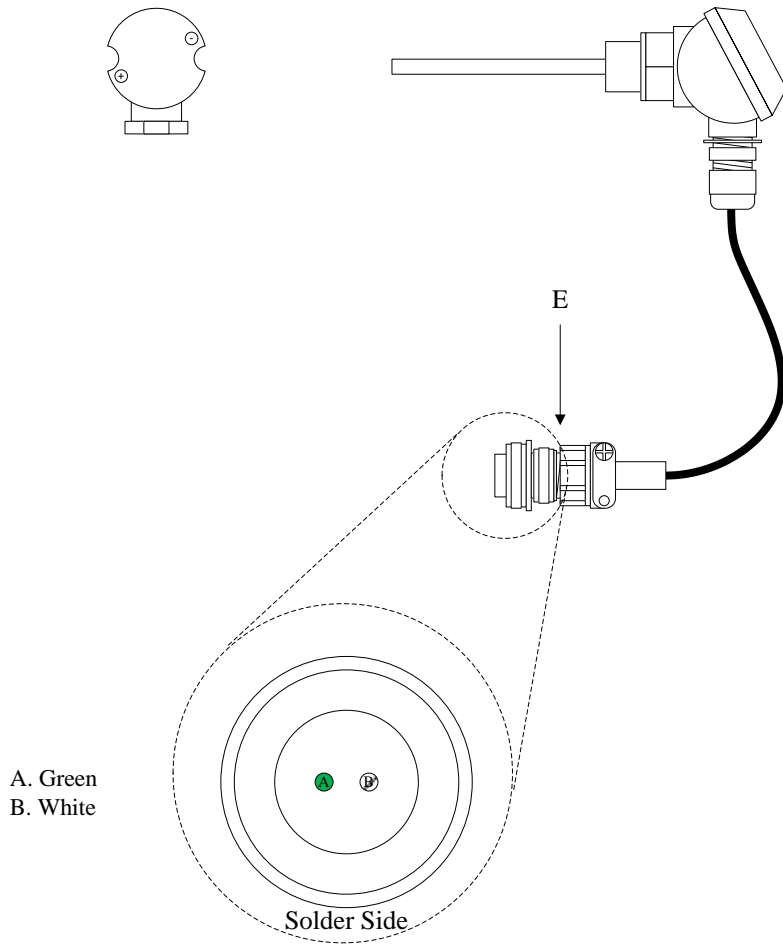
Probe



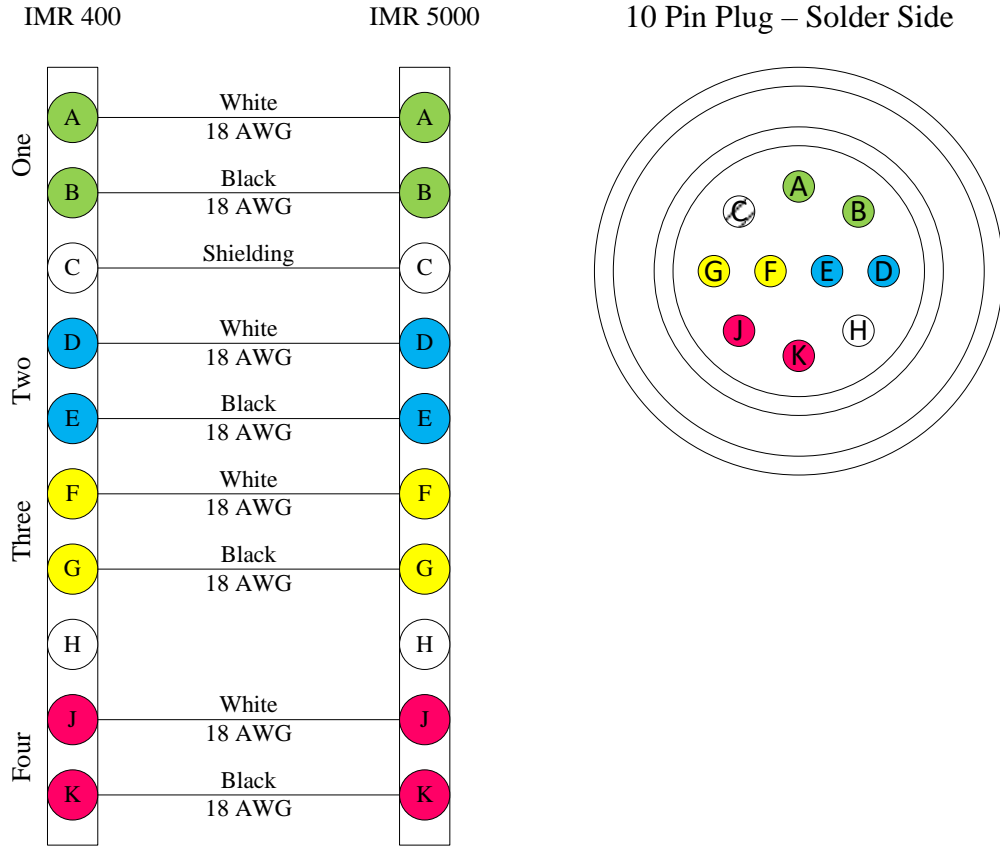
Heated Sample Line



Temperature Probe



Data Cable



MAINTENANCE

- Check the calibration once a month.
- Check the dust filter for dirt and replace as necessary.
- Check the gas outlets/fittings for debris.
- Check the condensation outlet of the gas-conditioning unit.
- Check the filters of the gas-conditioning unit and replace as necessary.
- Check the filter element of the probe and replace as necessary.

CONSUMABLES

Part No.

Dust filter (Plastic Housing)	72200
Paper Filter (Long)	72650
CO2 Sensor	CO2-NDIR-20%
CO Sensor	480105
NO Sensor	480001
NO2 Sensor	480009

Silicon Tubing	SL-1814
Valves (Solenoids)	VQD1151-5MO
Pump 24V	Pump 24V-S
Stainless Filter Housing (Long)	05001-Filt-LB
100mm Mounting Flange	MT-FL-5000-3
24V 1.7A Power Supply	MDR-40-24
5V 3A Power Supply	MDR-20-5
1.5m Heated Line at 110VAC	H226-1.5-110

IMPORTANT: Send the Serial Number and model of the analyzer when ordering spare parts.

Specify the maximum range when ordering sensors.

Ask about special items!

WARRANTY

The company IMR Environmental Equipment International, Inc., 3632 Central Ave., St. Petersburg, FL 33711, USA states the following:

IMR as manufacturer hereby grants the following worldwide IMR guarantee for an IMR unit purchased from an authorized dealer.

1. The IMR guarantee shall entitle every IMR customer to demand a free replacement or repair of the defect parts of the IMR unit from any IMR dealer authorized for the respective IMR unit.
2. The IMR guarantee shall be granted on the factory new unit and shall commence on the date of the delivery of the original IMR unit to the customer.
3. The IMR guarantee shall refer to absence of faults with respect to the state of the art nature of the sold unit in terms of material and finish. The guarantee for all parts fitted during the twelve month guarantee period shall end with the unit guarantee.
4. After the establishment of a material or production fault by IMR or the authorized IMR dealer, the faults will be eliminated by means of free repair or replacement. Replaced parts shall become the property of IMR.
5. No guarantee claims may be made for maintenance and setting work, cleaning or other utility materials required for the function of the unit and other wear parts unless they have a direct bearing on work performed under the guarantee.
6. The terms and conditions for the acknowledgement of this guarantee shall be the presentation of the fully completed guarantee card which must contain the confirmation from the authorized IMR dealer on its delivery and, if applicable, the prescribed maintenance work.
7. The IMR guarantee shall only be applicable if:
 - a. the IMR unit has been maintained in accordance with the instructions issued by the manufacturers and the operating instructions by an authorized IMR dealer
 - b. only original IMR spare parts have been used for any repairs
 - c. the unit has been used properly, the operating instructions observed and the unit has not been used for a purpose other than the one for which it has been designed
 - d. the IMR unit has been left in its original design and meets the original IMR specifications
 - e. the fault is not due to external influences or use for a purpose other than the one for which it has been designed
 - f. exclusively authorized IMR dealers have made repairs to the IMR unit
 - g. the IMR unit has been sent to an authorized IMR dealer immediately after the fault was discovered
8. Warranty time for the analyzer, including electrochemical sensors is 12 months.

Company Information



3632 Central Ave.

St. Petersburg, FL 33711

USA

Tel: 727-328-2818

Fax: 727-328-2826

800-RING-IMR

E-mail: info@imrusa.com

Web Site: www.imrusa.com