

## IMR DCEM 2100 OPACITY/DUST MONITOR

In-situ, low maintenance devices for continuous monitoring of opacity/dust emissions

- % opacity or dust density in mg/Nm<sup>3</sup>
- Low certified range 0 - 0.1 Ext
- Dual-pass, open-path transmissometer
- Integral auto zero and span check
- Dynamic misalignment check
- Full contamination check on all active optical surfaces
- Integral high efficiency air curtains for maximum uninterrupted service



Suitability Tested  
EN 15267  
QAL1 Certified  
Regular  
Surveillance  
[www.tuv.com](http://www.tuv.com)  
ID 0000043104



ISO 9001:2015

Quality Certification

ISO 14001:2015

Environmental Certification



IMR DCEM 2100

## DCEM2100 OPACITY/DUST MONITOR

The DCEM2100 provide a continuous measurement of opacity or dust concentration in flue gases by continuously measuring the transmissivity of visible light across a process duct or stack.

Its dual-pass optical arrangement is based on twin transmissometers measuring in opposing directions through the same section of the gas stream, providing not only an accurate average of the dust loading, but also providing a unique dynamic assessment of any misalignment errors due to stack movement.

The measurement of opacity or particulate (dust) emissions from a process stack by measuring changes in optical transmission is simple in concept, but the monitor must be insensitive to any other factors that degrade the optical transmission such as contamination of optical surfaces or gross misalignment.

Conventional Transmissometer vs DCEM2100

Dust density  
Many instruments only provide a simple measurement of opacity. Opacity is not proportional to dust density.

The outputs can be expressed in % opacity and dust density in mg/m<sup>3</sup> or mg/Nm<sup>3</sup> (corrected to Standard O<sub>2</sub>, temperature, pressure and H<sub>2</sub>O).

Contamination  
Many devices only measure optical contamination at the transceiver. They cannot measure contamination on the reflecting mirror on the opposite side of the stack. Many factors ensure that these surfaces often have different levels of contamination.

A retro mirror mounted on the ball of each auto shut off valve can be automatically rotated into and out of the optical path of each transceiver. This enables the individual window contamination to be measured and corrected for each transceiver and individual compensation applied.

Misalignment  
Although some systems provide the facility to manually detect misalignment, they cannot detect misalignment automatically. If there is duct movement, or the instrument is inadvertently misaligned, it may result in significant errors over an undefined period.

Optical transmissivity is measured simultaneously in opposite directions over the same gas path using identical transceivers. When optical alignment is correct these measurements are identical. Any optical misalignment produces different transmissivities. The analyser automatically detects this and raises an alarm.

Purge air failure  
Power or purge air failure can allow hot, corrosive gases to flow back to the instrument and vent through the purge blower. This can result in catastrophic failure of the system.

An integral ball valve mounted between each transceiver and its air purge acts as an automatic shut off valve which closes on loss of power or purge air.

The DCEM2000/2100 incorporates unique features that resolve each of these problem issues, resulting in an instrument that surpasses the performance of all previous opacity monitors.



DCEM2100 monitors

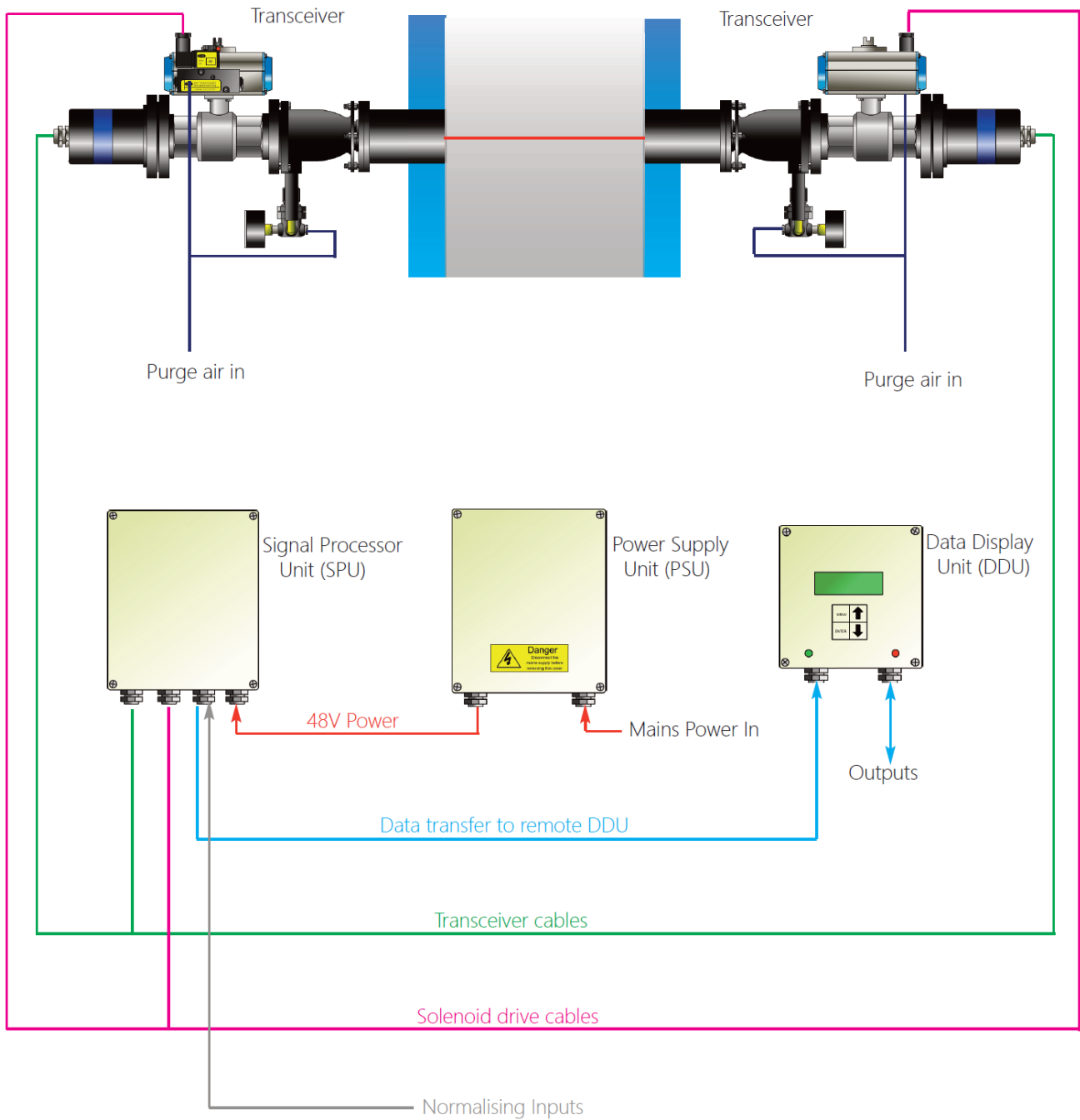


Signal Processor Unit (SPU)



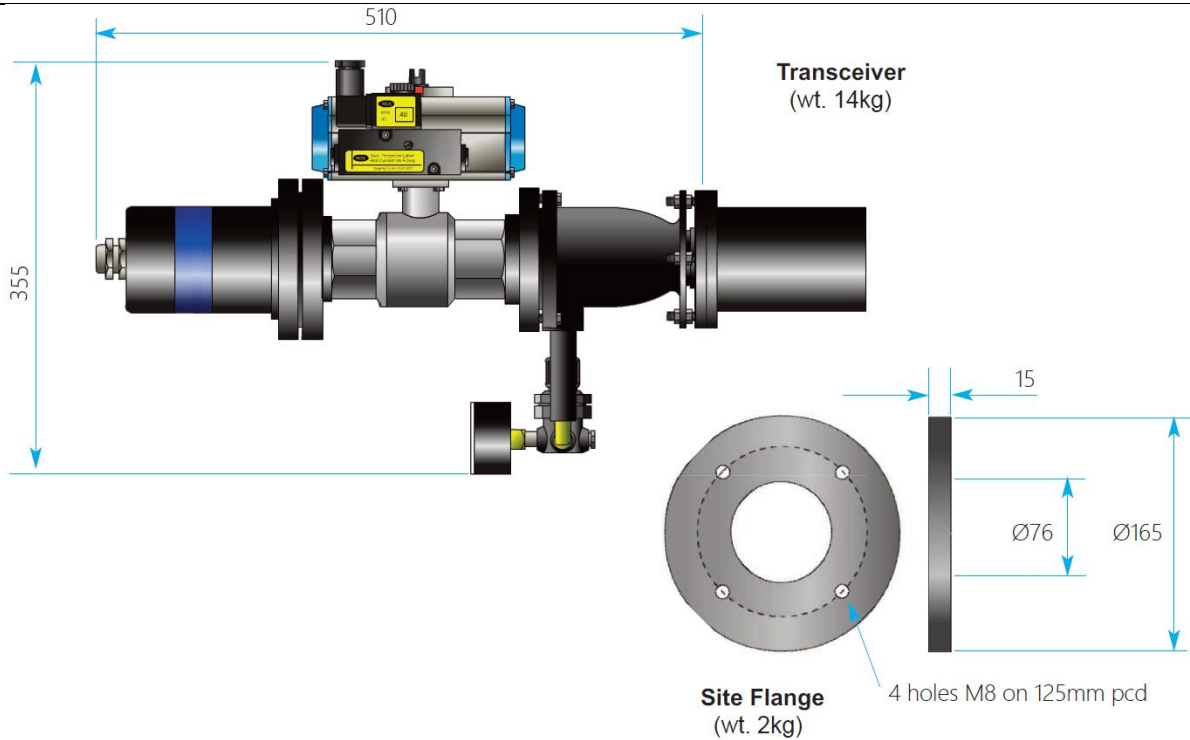
Data Display Unit (DDU)

## DCEM2100 DUST/OPACITY MONITOR - STAND ALONE SYSTEM ARRANGEMENT

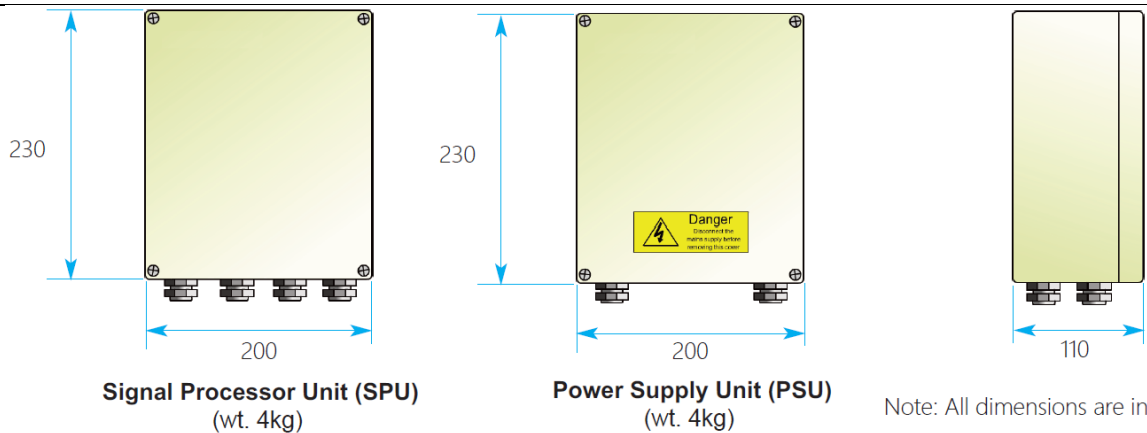


IMR DCEM 2100

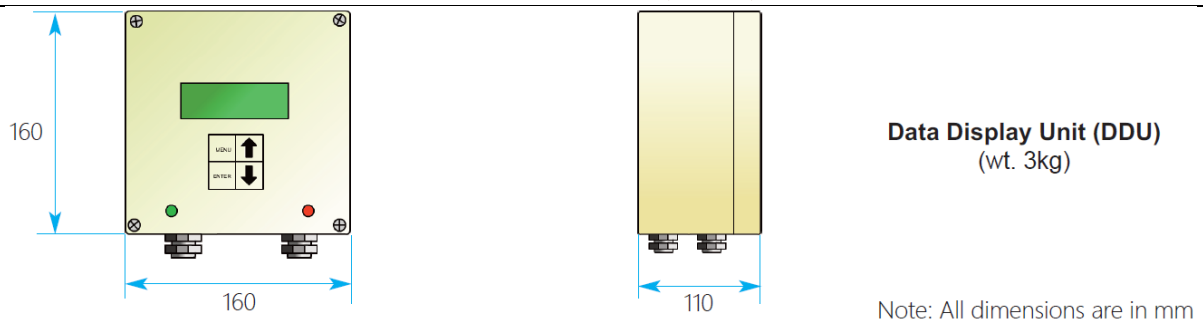
## OVERALL DIMENSIONS - TRANSCEIVERS AND SITE FLANGES



## OVERALL DIMENSIONS - SIGNAL PROCESSOR (SPU) & POWER SUPPLY (PSU)



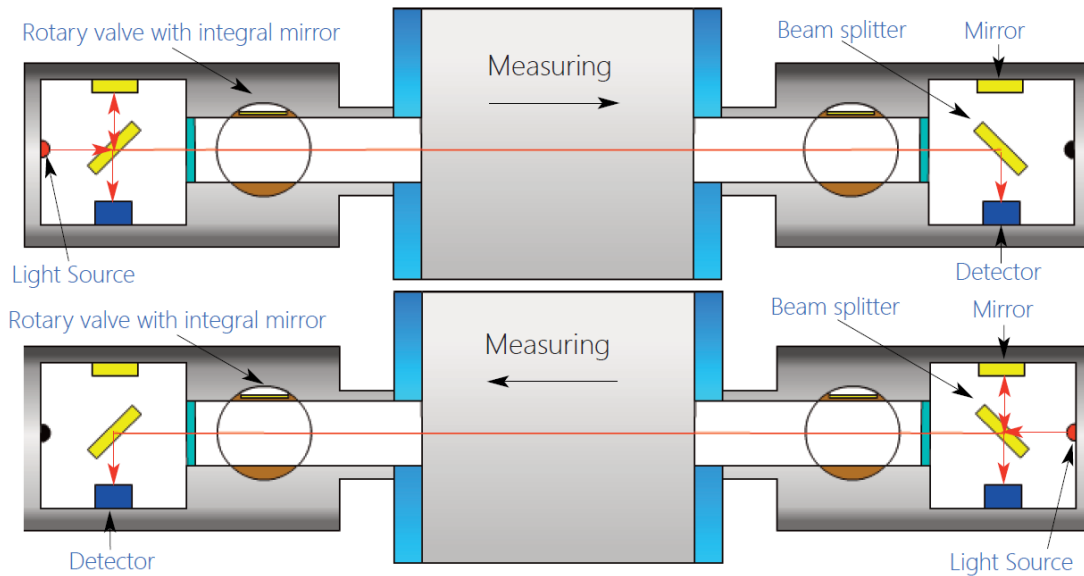
## OVERALL DIMENSIONS - DATA DISPLAY UNIT (DDU)



### DCEM2100 OPERATING PRINCIPLE

Particles emitted from industrial processes include smoke, soot, ash and carried-over process materials. All of these particles are visible and they can be measured by looking at how much they absorb and scatter visible light.

The CODEL DCEM2100 utilises two separate transceivers – each measuring across the same path. The LED light sources are turned on sequentially such that each transceiver measures either the transmitted light from its own source ( $I_o$ ) or the received light from the opposing source ( $I_r$ ).



This provides the basic measurement of Transmittance where:  $\text{Transmittance (T)} = \text{Received light (Ir)} / \text{Transmitted light (Io)}$

(Any difference between the 2 measurements of Transmittance indicates misalignment)

$\% \text{ Opacity (Smoke Density)} = (1 - \text{Transmittance (T)}) \times 100$

Dust density can also be measured if the physical and chemical nature of the particles are constant. It is directly proportional to another function of Transmittance called Extinction where:  $\text{Extinction} = \log_e (1 / \text{Transmittance (T)})$

It is vital that an empirical ratio between the measured Extinction and actual dust density is established for each application by collecting a sample of the dust under controlled conditions. The DCEM2100 can then use a Dust Factor where:  $\text{Dust Factor} = \text{Sampled mg/m}^3 / \text{Average Extinction during the collection}$ . This Dust Factor is then used in normal operation to provide an output directly in  $\text{mg/m}^3$  where:  $\text{mg/m}^3 = \text{Dust Factor} \times \text{Measured Extinction}$

In the absence of actual data, assume the following:

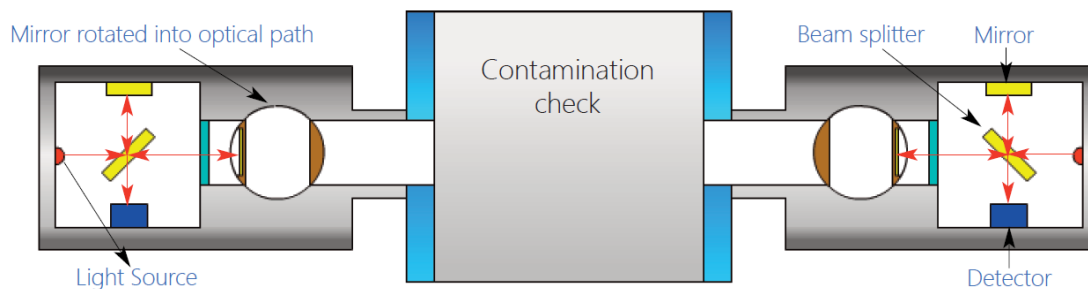
After ESPs,  $(250/x)\text{mg/m}^3$  of dust will typically generate 10% opacity (0.05 ext) across an x metre path.

After bag filters,  $(25/x)\text{mg/m}^3$  of dust will typically generate 10% opacity (0.05 ext) across an x metre path.

This is only a general rule. It is not reliable above 20% opacity and must be verified by sampling.

Where other measurements are available, the DCEM2100 can provide normalised measurements in  $\text{mg/Nm}^3$

Contamination correction is necessary because transmissometers cannot differentiate between solids held in suspension in the gas stream (emissions) and solids deposited on the optical surfaces (contamination). An integral retro mirror is automatically presented to each transceiver enabling full contamination measurement and correction.





IMR DCEM 2100

**DCEM2100 DUST / OPACITY MONITOR - TECHNICAL SPECIFICATION*****Transceiver Unit***

Operating Principle	Dual-pass transmissometer
Measuring units	% opacity, mg/m <sup>3</sup> , mg/Nm <sup>3</sup> , extinction
Light Source	Modulated high-intensity LED at 637nm (or 580nm) wavelength *
Light Detection	Continuous measurement of transmitted and received light intensities
Optical Path Length	0.5 to 15m, longer path lengths available on request
Accuracy	+/- 0.2% opacity
Response Time	10 Seconds
Measuring Range	Fully selectable in % opacity, mg/m <sup>3</sup> , mg/Nm <sup>3</sup> , extinction (Typical 0 - 5000 mg/m <sup>3</sup> ) **
Certified Range	0 to 0.1 Ext (0 - 20% opacity or 0 - 10 mg/m <sup>3</sup> at 5m)
Resolution	0.1% opacity or 0.1 mg/m <sup>3</sup>
Drift	<1% opacity per month
Averaging	4 rolling averages selectable from 10 seconds to 30 days
Calibration	Auto zero and auto span
Ambient Temperature	-20°C to +50°C (Certified) / -20°C to +60°C (Maximum)
Flue Gas Temperature	600°C maximum (Red LED) - 850°C Available On Request
Power supply	48V DC from Signal Processor Unit (SPU)
Construction	Corrosion resistant epoxy coated aluminium housing sealed to IP66
Air Purge	Compressed air, 1 litre/sec @ 4bar maximum
Fail-safe	Shutter Automatic shut-off valve in case of compressed air or power failure

\* US EPA Compliance requires light at 580nm; dust measurement in mg/Nm<sup>3</sup> requires 637nm.

\*\* Dependent on path length and dust factors

***Signal Processor Unit (SPU)***

Construction	epoxy-coated aluminium to IP67
Ambient Temperature	-20°C to +50°C (Certified) / -20°C to +60°C (Maximum)
Power Supply	48V DC supplied from Power Supply Unit (PSU)
Normalising Inputs	4 x 4-20mA for oxygen, H <sub>2</sub> O, Temperature & Pressure

***Data Display Unit (DDU)***

Analogue outputs	2 x 4-20mA current outputs as standard, isolated, 500Ω load max, fully configurable from keypad
Logic Outputs	2 x volt-free SPCO contacts, 50V, 1A max, configurable as alarm contacts 1 x volt-free SPCO contact, 50V, 1A max, for data valid signal
Logic Inputs	1 x volt free logic input for plant status or remote calibration initiation
Serial Data	RS232/RS485 MODBUS protocol (Optional)
Display	32 Character alpha-numeric back-lit LCD
Keypad	4-key soft-touch entry
Construction	epoxy-coated aluminium to IP67
Ambient Temperature	-20°C to +50°C (Certified) / -20°C to +60°C (Maximum)
Power Supply	48V DC supplied from Signal Processor Unit (SPU)

***Power Supply Unit (PSU)***

Construction	epoxy-coated aluminium to IP67
Ambient Temperature	-20°C to +50°C (Certified) / -20°C to +60°C (Maximum)
Power Supply	Mains 88 - 264 VAC, single phase, 50/60Hz - 48V DC output to Signal Processor Unit (SPU)

***Compliances***

EMC	89/336/EEC directive compliant
Low Voltage	73/23/EEC directive compliant
TUV Certified (QAL1)	EN 15267-1 : 2009 & EN 14181 : 2004 , EN 15267-2 2009 & EN 15267-3 2007

***Services***

Power	Mains 88 - 264 VAC, single phase, 50/60Hz 50VA
Air Requirement	Clean and dry compressed air, 1 litre/sec @ 6bar

***Optional Items***

Check Filter Holder	For insertion of optical Check Filter
Check Filters	20%, 40%, 60%, 80% Check Filters available